

700091XS

PARTS WASHER

BIOLOGICAL

60 LITERS TANK CAPACITY

DESCRIPTIVE

The biological Parts Washer cleans your parts without any solvent while respecting operators' health and the environment.

It is based on a natural regeneration using micro-organisms to transform pollutants into food and energy.

TECHNICAL CHARACTERISTICS

Dimensions :

Parts Washer Dimension	L 795 x l 600 x H 975 (mm)
Working Area Dimension	L 690 x l 430 x H 190 (mm)
Empty Weight	22 kg
Tank Capacity	60 to 80 liters
Soaking area Volume	11 liters
Soaking area Dimension.....	L 260 x l 270 x H 140 (mm)
Pump flow	1140 liters / H
Heating Power.....	1 KW
Electric Consumption	160 W/H (ECO MODE 12H/day : 25% of electricity consumption)
Payload	80 kg
Standard Temperature.....	38°C (boost Mode: 43°C : +50% for cleaning performance)
Composition	PEMD
Tool Holder	Interchangeable Brush
Filtration	700 µ (SS basket filter) + 20 µ (sock filter)
Power Supply	230 V



Cleaning concept based on :

- A non- labeled cleaning solution, heated at 38°C
- Micro-Organisms Tablet, regenerating the solution

Brush & Soaking area

Safe, solvent free, non-flammable, protection of the operator and the environment

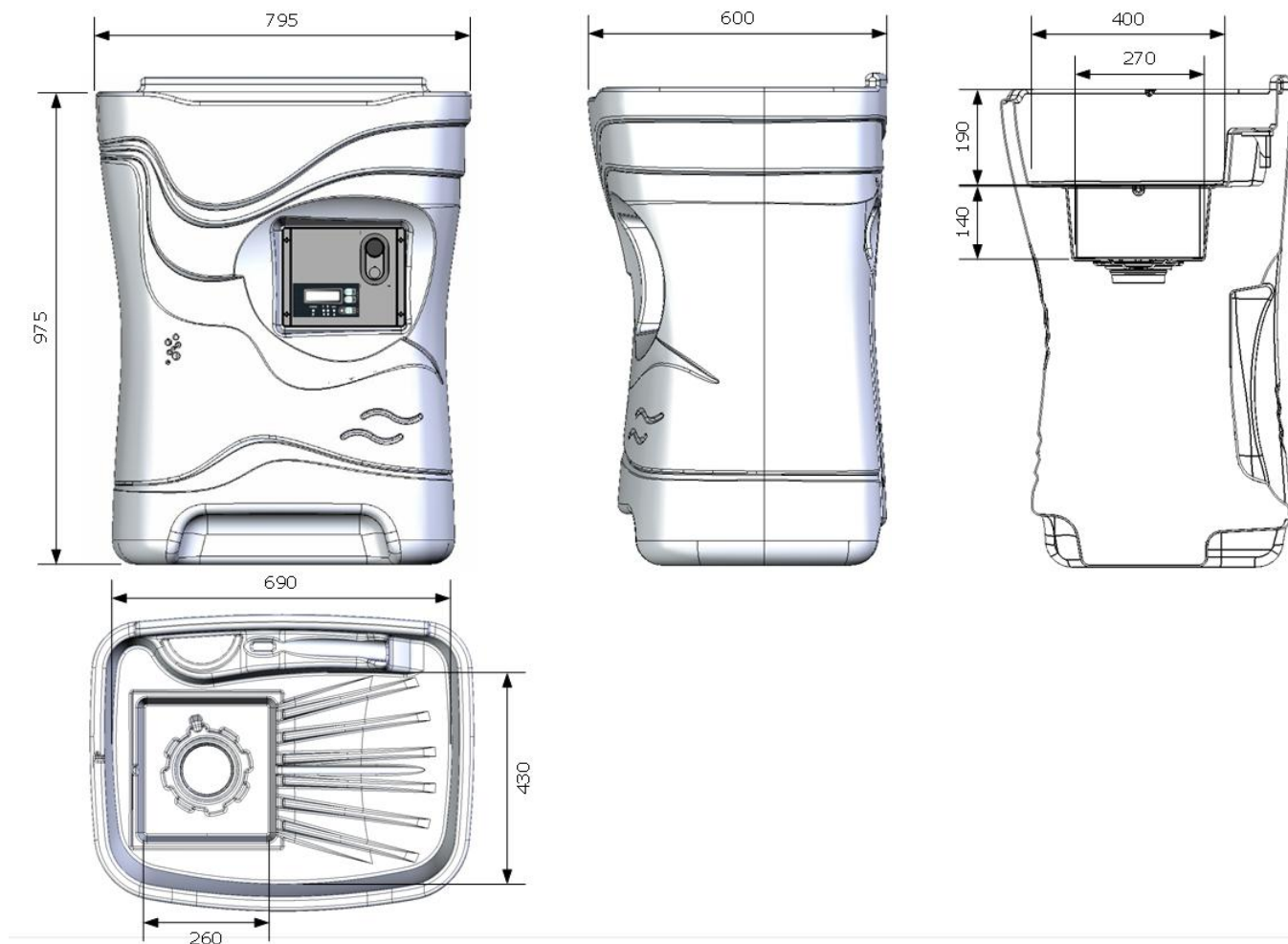
1/2

Etablissement principal

Parc Industriel de la Plaine de l'Ain - 225 allée des Cèdres - 01150 Saint-Vulbas - FRANCE

Tél. +33 (0)4 74 40 20 20 - Fax +33 (0)4 74 40 20 21 - www.orapi-maintenance.com

DRAWING OF THE BIOLOGICAL PARTS WASHER



2/2

Etablissement principal

Parc Industriel de la Plaine de l'Ain - 225 allée des Cèdres - 01150 Saint-Vulbas - FRANCE
Tél. +33 (0)4 74 40 20 20 - Fax +33 (0)4 74 40 20 21 - www.orapi-maintenance.com